



# July is Smart Irrigation Month

---

## Make your irrigation system smart!

Inefficient irrigation systems are the biggest source of wasted water in residential households. Smart irrigation is known to improve landscape water use efficiency by 15-30%!

- **If you live in a newer home:** Since 2006, all new homes have been built with smart weather-based irrigation controllers. Be sure your controller is properly set up to adjust automatically to changing weather and to shut off when it rains.

If you live in an older home, follow these tips to make your irrigation system smart:

- **Include a soil moisture sensor:** Soil moisture sensors measure the water content in the ground to prevent excess watering. When adequate moisture is available in the soil, these switches will suspend irrigation.
- **Install a rain, freeze, or wind sensor:** Weather sensors aim to prevent water waste during rain, wind, and freezing temperatures. These sensors suspend irrigation until the weather changes.
- **Upgrade to a smart weather-based irrigation controller:** These controllers adjust daily watering duration based on local weather inputs. A smart irrigation controller communicates with rain, freeze, wind, and soil moisture sensors.

Click the links below to see the most widely used smart irrigation controllers!

[Hunter](#)

[Rachio](#)

[TORO](#)

[Rain  
Bird](#)

[Orbit](#)

## Smart Irrigation Incentives:

Customers can apply for money to retrofit their irrigation systems!  
Contact the Marina Coast Conservation Department before purchasing any components or applying for incentive cash.



### Rain or Soil Moisture Shut-Off Switch

Suspend unnecessary irrigation events after rainfall or when soil moisture is already adequate. Customers can receive up to \$100!

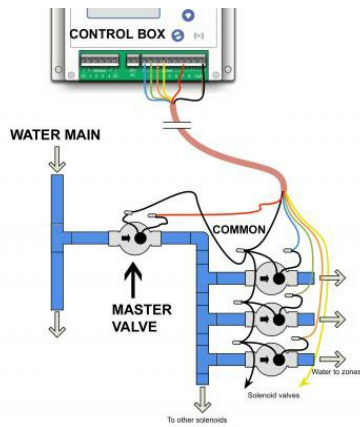
[Shut-Off Switch Incentive](#)



### Smart Irrigation Controllers

For systems with four or more irrigation zones, incentive payments start at \$150. Additional money is provided for each station beyond the first six stations.

[Smart Controller Incentive](#)



## Master Valves

Stop unauthorized water use or limit leaks. Receive a reimbursement for the purchase of your device, up to \$100!

Master Valve Incentive



## Flow Sensors

Measure water flow and detect leaks by adding a flow sensor to your system. Receive a reimbursement up to \$100!

Flow Sensor Incentive

Smart Irrigation Month is sponsored by the Irrigation Association to educate the public on the benefits of irrigation technologies, products, and services.

Marina Coast Water District  
 11 Reservation Road, Marina CA 93933  
 (831) 384-6131 | [www.mcwd.org](http://www.mcwd.org)  
[conservation@mcwd.org](mailto:conservation@mcwd.org)

